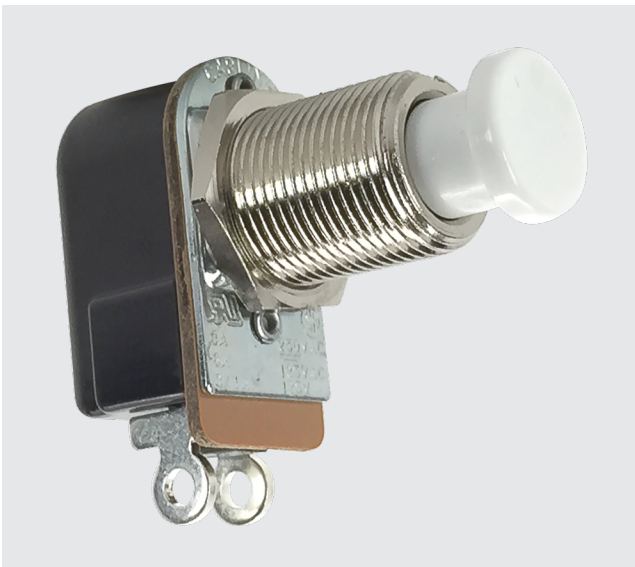


P27-Series

P27-Series

PUSHBUTTON SWITCHES

The P27-Series pushbutton switches are single pole, AC rated switches suitable for general purpose applications with a shallow back panel. These switches are momentary action with a medium actuation force (26 oz. typical). The P27-Series switch is equipped with a slow-make, slow-break contact mechanism, rated at 6 amps with a nylon concave pushbutton.



Product Highlights:

- Ratings to 6A 125VAC 3A 250VAC
- Momentary On or Momentary Off circuitry
- .250 Tab, Solder Lug or Wire Lead terminations
- Shallow space saving envelope

Typical Applications:

- Intercoms
- Security System
- Electronic Signs
- Marine



Dielectric Strength

UL/CSA: 1000V - live to dead metal parts

Electrical Life

25,000 cycles

Operating Temperature

32°F to 185°F (0°C to 85°C)

P27A - **BL**

¹
Base Part Number

²
Button Color

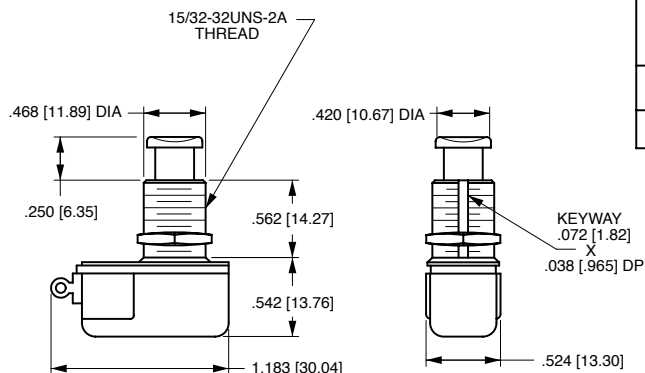
1 BASE PART NUMBER: SERIES / POLES / CIRCUITRY / RATING / TERMINATION

Single Pole	Solder Lug	.250 Tab	Wire Leads
3A 250VAC, 6A 125 VAC, 3/4A 125V			
Off - (On)	P27A	P27B	P27F
On - (Off)	P27L	-	P27T

3 BUTTON STYLE / COLOR

BL	Black
RD	Red
WH	White

Notes:
() Indicates momentary function.



SOLDER LUG	.250 TAB (Q.C.) (Momentary ON only)	INTEGRATED WIRE LEAD (no exposed conductors)
TERMINAL TYPE		



*Manufacturer reserves the right to change product specification without prior notice.